



**COUNTY OF LOS ANGELES
DEPARTMENT OF PUBLIC WORKS
BUILDING AND SAFETY DIVISION**

**VERY HIGH FIRE HAZARD
SEVERITY ZONE
EAVE DETAILS**

CLASS A ROOF COVERING
(WOOD SHAKE OR WOOD SHINGLE PROHIBITED)

METAL BIRDSTOP OR 36"
WIDE 72 # MINERAL-
SURFACED NONPERFORATED
CAP SHEET (ASTM D3909)

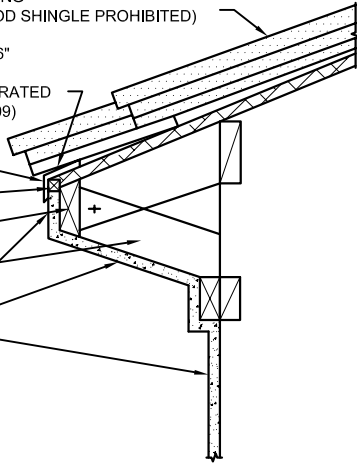
G.I. FLASHING

1x STOP

2x CONTINUOUS

2x FRAMING

7/8" STUCCO
MINIMUM



NO EAVE VENTS PERMITTED

STUCCO OPTION 1

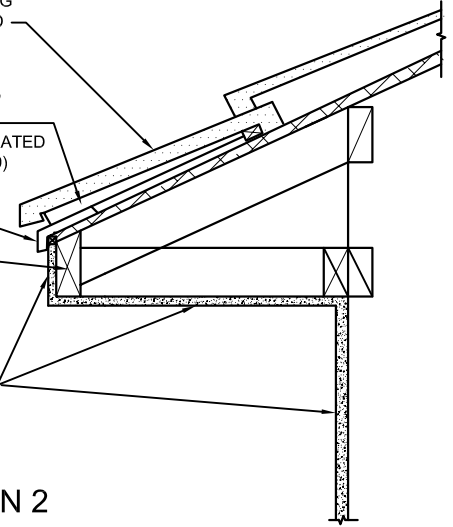
CLASS A ROOF COVERING
(WOOD SHAKE OR WOOD
SHINGLE PROHIBITED)

METAL BIRDSTOP OR 36"
WIDE 72 # MINERAL-
SURFACED NONPERFORATED
CAP SHEET (ASTM D3909)

G.I. FLASHING

2x CONTINUOUS

7/8" STUCCO MINIMUM



NO EAVE VENTS PERMITTED

STUCCO OPTION 2

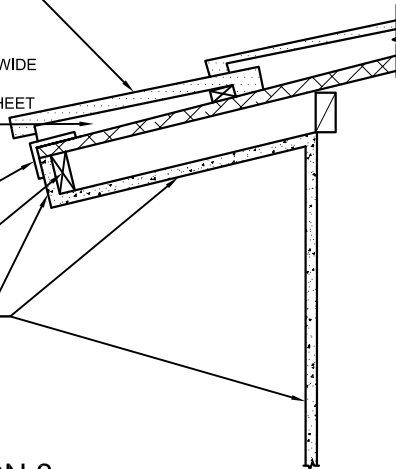
CLASS A ROOF COVERING
(WOOD SHAKE OR WOOD
SHINGLE PROHIBITED)

METAL BIRDSTOP OR 36" WIDE
72 # MINERAL-SURFACED
NONPERFORATED CAP SHEET
(ASTM D3909)

G.I. FLASHING

2 x CONTINUOUS

7/8" STUCCO MINIMUM



NO EAVE VENTS PERMITTED

STUCCO OPTION 3

CLASS A ROOF COVERING
(WOOD SHAKE OR WOOD
SHINGLE PROHIBITED)

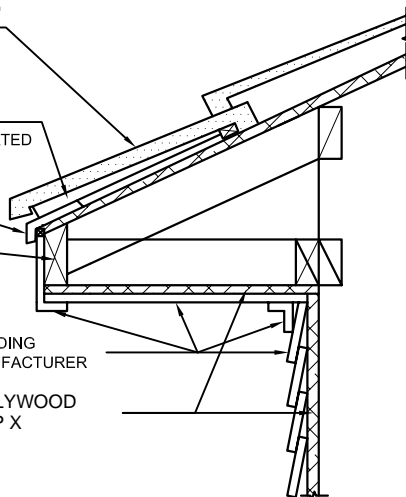
METAL BIRDSTOP OR 36"
WIDE 72 # MINERAL-
SURFACED NONPERFORATED
CAP SHEET (ASTM D3909)

G.I. FLASHING

2x CONTINUOUS

RATED FIBER CEMENT SIDING
INSTALLATION PER MANUFACTURER

15/32 STRUCTURAL PLYWOOD
PANELS WITH 5/8" TYP X
GYPSUM BOARD



NO EAVE VENTS PERMITTED

FIBER CEMENT OPTION 1

CLASS A ROOF COVERING
(WOOD SHAKE OR WOOD
SHINGLE PROHIBITED)

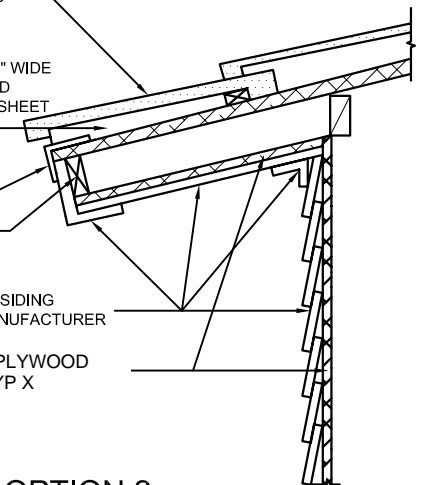
METAL BIRDSTOP OR 36" WIDE
72 # MINERAL-SURFACED
NONPERFORATED CAP SHEET
(ASTM D3909)

G.I. FLASHING

2 x CONTINUOUS

RATED FIBER CEMENT SIDING
INSTALLATION PER MANUFACTURER

15/32 STRUCTURAL PLYWOOD
PANELS WITH 5/8" TYP X
GYPSUM BOARD



NO EAVE VENTS PERMITTED

FIBER CEMENT OPTION 2